



FSA

FILTER SYSTEMS AUSTRALIA



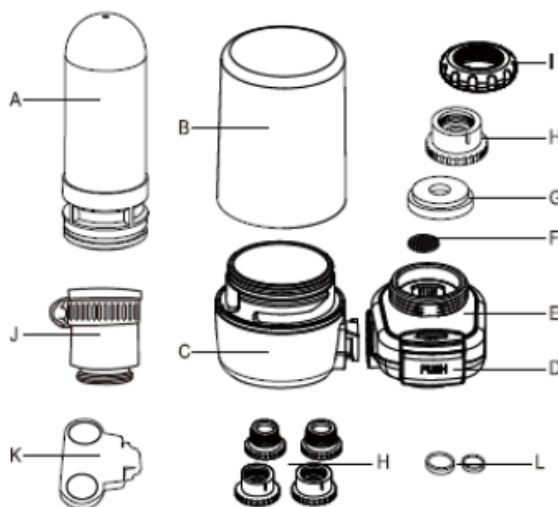
Faucet Mount Water Filter Coconut Carbon Block GT39-18

Warning:

For correct operation of this appliance, it is essential to observe and follow the manufacturer's instructions. Please read all instructions, specifications and precautions before installation and use.

This filter is designed for removal of Chlorine Taste & Odour from municipal treated water supplies.

PARTS LIST



- A. CARBON BLOCK
- B. FILTER CARTRIDGE COVER
- C. FILTER BASE
- D.E. SELECTOR
- F. S.S.NET
- G. SILICON WASHER
- H. EXTERNAL/INTERNAL THREADED ADAPTER
- I. MOUNTING NUT
- J. 1/2" OR 3/4" EXTERNAL FACUET ADAPTER
- K. LOCK FOR EXTERNAL THREADED ADAPTER
- L. WASHERS FOR EXTERNAL/INTERNAL THREADED ADAPTER

Before Installation:

- Do not use with microbiologically unsafe water or of water of unknown quality without adequate disinfection before or after the system.
- Operation Pressure must not exceed 400 kPa.
If pressure exceeds this, you must install a pressure limiting device before the tap.
- This device fits faucets ranging from 19mm to 23.5mm OD. Adaptors for both male and female are supplied. Please ensure your tap is suitable before purchase.
- Water quality may affect the life of the filter cartridge, this can become an indication of when you require a cartridge change if the filter blocks before the recommended replacement time.
- Prior to usage, it is recommended to run the water briefly in 'Pure Mode' to ensure the filter has been flushed and filter correctly.
- The filter will require a 1-minute flush if it has not been used for periods over 48 hours.
- The maximum temperature of this water filter is 38°C. Not for use with Hot Water.
Using Hot water on this filter may cause damage or failure and void warranty.

Specifications:

Size:	120 x 86 x 110 (mm)
Use:	Municipal (Chlorinated)
Temp:	5°C – 38°C
Pressure:	100 kPa – 400 kPa
Material:	Coconut Carbon Block
Flow Rate:	3L/Min @ 200 kPa
Life:	3 – 4 Months
	Harsh Water May reduce filter life

Installation:

For diagrams of installation, please refer to manufacturer's supplied manual.

Remove your original aerator and its washer. Use a spanner or multi grip tool if difficult to remove.

Identify the size and type of faucet thread by using a ruler or callipers and select the correct adaptor.

1. Take off the mounting nut. (I)
2. Attach the correct adaptor (H) with the washer to the faucet with the mounting nut on (I)
3. Connect the Selector base and silicone washer (G + D,E) and tighten using the mounting nut (I)
4. Attach the filter housing with carbon block (C,B,A) by twist locking it into place (vertically)

Filter Change:

1. Turn OFF faucet, switch selector to "Tap" position., Twist off filter to remove it from the selector.
2. Twist open the housing to expose carbon block, discard old filter and replace with new one.
3. Replace the housing back on to the filter base.
4. Twist lock the filter housing back onto the selector.
5. Flush the filter for 60 seconds until water runs clear.

Troubleshooting:

- Q: Water Leaking from the faucet adaptor to threads on mounting nut
A: Check to see the washer is seated correctly.
- Q: Slow Flow rate in filter position
A: Filter Requires Replacement, OR Check Water Pressure OR Check Water Quality
- Q: Water slow in both "Tap" & "Pure" Position
A: Clean the Internal Mesh in the Selector – There may be a sediment build up or Calcium.
- Q: Taste or Odour Issue in filter
A: If filter is new, allow longer flushing time. If filter is older – Replace Filter.