



FSA
FILTER SYSTEMS AUSTRALIA
 Ph. 1300 888 008 38 Jade Drive,
 Molendinar, QLD, 4214



Water Filtration Systems & Housings

WARNING:

For correct operation of this appliance it is essential to observe the manufacturer's instructions. **All Systems must be installed by a qualified plumber.**

This system must be mounted in a vertical position and must be positioned to allow access for service and filter cartridge changing.

Cartridges should be installed in order of: Pleated Before Spun, Spun Before Carbon, Highest Micron Before Lowest Micron.

The Operating pressure of this system is 310 kPa – 590 kPa, exceeding these limits may void warranty. An anti-Water hammer device is recommended to be installed on the house plumbing to avoid damage to components.

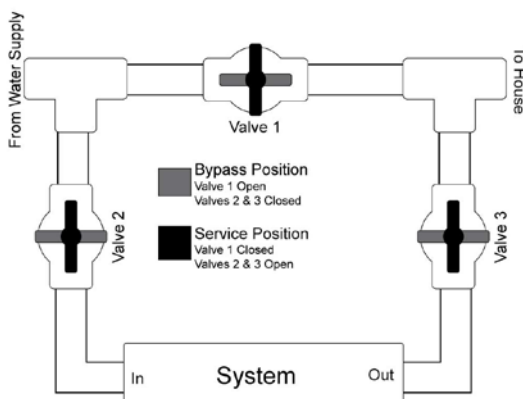
Once installation is complete the installer should inspect for leaks.

Under no circumstances should a thread sealant be used on water filtration housings – Thread tape ONLY is permitted. If thread sealants are used, all warranty is void.

Pressure Gauge Fittings:

When installing pressure gauges, you must apply 6–8 Rounds of standard white thread tape for an adequate seal.

Systems that come without optional pressure gauges will be supplied with hole cap fittings. Thread Tape should be applied (approx. 6–8 Rounds) and tightly fitted into the holes located on the top of the housings See Photo Below:



It is advised that a bypass be installed around any water filtration system. **Ensure you request a bypass to be included in any plumbing quotes to avoid additional charges.**

Any contract of sale, order, or quotation made or accepted by or on behalf of Filter Systems Australia is subject to these terms and conditions of sale. Filter Systems Australia warrants each new product to be free from defects in material and workmanship for a period of 1 year from the date of retail sale established by the date of the original invoice issued by FSA. After the initial 1 year elapses, the product must be forwarded at the buyer's own risk and expense to FSA, together with proof of purchase. Any damage caused during or as a result of transit will not be the responsibility of FSA.

Filter Systems Australia's exclusive obligation under this Warranty is, at FSA's own option, to either repair or replace the Product, once FSA has deemed that the Product is defective. Filter Systems Australia will not cover any labour charge incurred by the buyer for the replacement or repair of any product. The buyer is responsible for freight and local labour charges for products the subject of this Warranty.

LIMITED WARRANTY

Filter Systems Australia's liability for any breach of this warranty shall be limited solely to replacement or repair at the sole option of FSA, of any part or parts found to be defective during the warranty period.

In no event, will liability extend beyond the purchase price of the product. This warranty is subject to the product being properly installed and maintained and being used for its intended purpose. The warranty will be void if the goods have found to be tampered with. This warranty does not cover the normal wear and tear of the product, or damage caused by misuse, abuse or vandalism. This warranty does not extend to a product that has been modified in any way unless with FSA's expressed consent. The warranty does not cover any malfunction or failure resulting from neglect or use of unauthorised parts and accessories, improper water pressure etc. The warranty does not extend to damage caused by rain, fire, earthquake or other natural causes or acts of nature.

It is expressly agreed that this shall be the sole and exclusive remedy of the buyer stated herein, and under no circumstances shall Filter Systems Australia be liable for any costs, loss, expense, damages, special damages, incidental damages or consequential damages arising directly or indirectly from the design, manufacture, sale, or use or repair of the product whether based upon warranty, contract, tort or strict liability. Warranty is voided if the damage is found to be caused by water hammer, excessive pressure or thermal expansion, as the result of use in conjunction with a water cooler or heated. The warranty limits Filter Systems Australia's liability and is in lieu of all other warranties and liabilities expressed or implied. All implied warranties of merchantability and fitness for a particular purpose are hereby disclaimed by Filter Systems Australia and excluded from the Warranty. With reference to other components that are sold separately, these are covered by our 12-month warranty unless otherwise stated by the manufacturer.

WARRANTY PROCEDURE

A copy of the original invoice must be presented for any warranty claim as proof of purchase, this limited warranty is void if the product under warranty is presented without the said original invoice. Filter Systems Australia may request that a statement accompany the original invoice, signed by the buyer, setting out the following terms:

1. The name and address of the buyer.
2. The date and by whom the product was purchased.
3. The date and by whom the product was installed.
4. The location where the product was installed.
5. The date and time the product first appeared to malfunction.
6. The nature of the problem with the product.
7. The date and time of any and all loss event/s.
8. The date and time Filter Systems Australia was first notified of the product malfunction.

A failure by the buyer to submit the said statement within 28 days, after such request is made by Filter Systems Australia, will automatically void the warranty. A failure to answer truthfully or to answer in a way that is misleading, entitles Filter Systems Australia to void the warranty and to notify the police in the event of suspected fraudulent conduct. The risk in the product will pass to the buyer immediately upon the product leaving Filter Systems Australia's premises for delivery to the place designated by the buyer. Filter Systems Australia will retain title to (but not risk in) a product delivered to the buyer until FSA has received payment in full for the product and all other sums owing to it by the buyer. Until such payment, the buyer holds the product as bailee for FSA and may not sell or otherwise dispose of the product unless authorised by FSA. If the product is sold, the proceeds of sale will be placed in a separate trust account pending payment to Filter Systems Australia. The Buyer will store the goods in such a way as to enable them to be separately identified and will keep them insured at its own expense with FSA's interest noted on any such insurance cover. If the buyer fails to make any payment when due or becomes bankrupt or becomes insolvent, or has a judgement entered against it in any Court or enters into any scheme of arrangement, composition, or assignment or is in receivership or voluntary administration or liquidation, the buyer grants Filter Systems Australia licence to enter any of the buyer's premises where the product is stored, and without notice, to re-take possession of and remove, at the buyer's cost and expense, the product in respect of which title has not passed to the buyer.

The system is not serviced every as per the recommendation OR every 12 Months Product damage results from water hammer, freezing, neglect or is not installed by a licensed plumber in accordance with the installation plan The water temperature exceeds 38° Celsius. The system is not installed with an Australian Standards approved Pressure Limiting and Dual Check Valve.